

# GRANT

GrAnt is a versatile high performance antenna. It can be mounted on flat surfaces with four screws or mounted on standard poles (5/8-11 or 1-14 inches thread). The antenna cable can be connected via the standard TNC (N-type optional) connector on its side or routed through the center of the antenna for ultimate protection in harsh environments.

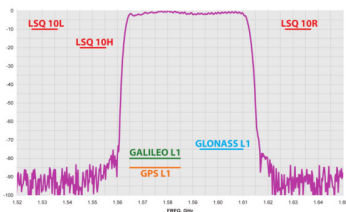
J-Shield is our filter that protects GPS L1, Galileo L1 and GLONASS L1 bands. It brings in all the useful signals intact and rejects out of band signals with the slope of about 12 dB/MHz.

Similarly, it is our filter that protects GPS L2, GPS L5, GLONASS L2, GLONASS L3, and Galileo L5 and has slope of about 9 dB/MHz.

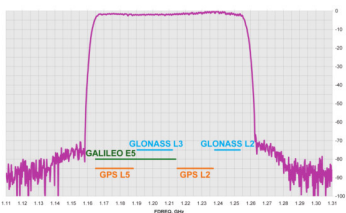
These filters have been extensively tested with five different innovative tests and prove that the filters also improve the performance of GNSS receivers.

GrAnt can track GPS, GLONASS, Galileo, BeiDou, WAAS, EGNOS, MSAS, GAGAN and QZSS signals.

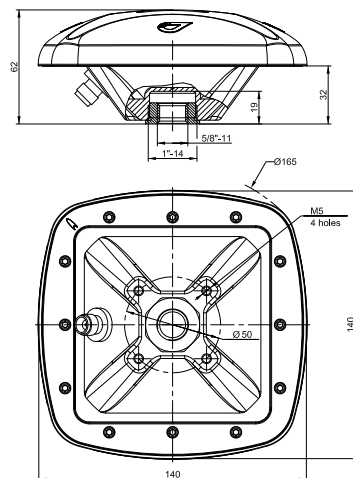
	<b>G3</b>	<b>G3T</b>	<b>G3T-JS</b>	<b>G5T</b>
<b>Signal</b>				
Capability	GPS L1 GLONASS L1 GALILEO E1/E2 BEIDOU B1 WAAS L1, EGNOS, MSAS, GAGAN, QZSS L1	GPS L1/L2/L5 GLONASS L1/L2/L3 GALILEO E1/E2/E5ab BEIDOU B1/B2 WAAS L1/L5, EGNOS, MSAS, GAGAN, QZSS L1/L2/L5	GPS L1/L2/L5 GLONASS L1/L2/L3 GALILEO E1/E5ab WAAS L1/L5, EGNOS, MSAS, GAGAN QZSS L1/L2/L5	GPS L1/L2/L5 GLONASS L1/L2/L3 GALILEO E1/E2/E5ab/E6 BEIDOU B1/B2/B3 WAAS L1/L5, EGNOS, MSAS, GAGAN QZSS L1/L2/L5/LEX
Frequency	1555~1610 MHz	1555~1610 MHz 1164~1253 MHz	1565~1610 MHz 1164~1253 MHz	1555~1610 MHz 1164~1300 MHz
<b>Electrical</b>				
Antenna Gain	1555~1610MHz – 5.0 dB typ.	1555~1610 MHz - 5.0 dB typ. 1164~1253 MHz - 4.0 dB typ.	1565~1610 MHz - 5.0 dB typ. 1164~1253 MHz - 4.0 dB typ.	1555~1610 MHz - 5.0 dB typ. 1164~1300 MHz - 4.0 dB typ.
Axial Ratio	3.0 dB max.			
Output Impedance	50 Ohm			
LNA gain	32±2 dB		1565~1610 MHz - 33±3 dB 1164~1253 MHz - 33±3 dB	32±2 dB
Noise Figure	1555~1610 MHz - 1.7 dB typ.	1555~1610 MHz - 1.7 dB typ. 1164~1253 MHz - 1.7 dB typ.	1565~1610 MHz – 2.8 dB typ. 1164~1253 MHz – 2.8 dB typ.	1555~1610 MHz - 1.7 dB typ. 1164~1300 MHz - 1.7 dB typ.
DC voltage	3.0~15.0VDC 25mA@5.0V typ.	3.0~15.0VDC 45mA@5.0V typ.	4.5~15.0VDC 90mA@5.0V typ.	3.0~15.0VDC 45mA@5.0V typ.
Power consumption	-		0.5 Watt (max)	-
<b>Environmental</b>				
Operating Temperature	-45°C ~ +85°C			
Storage Temperature	-50°C ~ +85°C			
Humidity	Waterproof			
<b>Mechanical</b>				
Antenna type	Microstrip			
Connector	TNC			
Weight	450 g			515 g
Dimensions	140 mm x 140 mm x 62 mm			
Enclosure	Radome: ABS, Base: Aluminum			
Color	Green			
Mounting	5/8-11 or 1-14 inches mount, or 4 holes M5			



Frequency response of J-Shield filter for GPS L1, Galileo L1, and GLONASS L1 bands.



Frequency response of J-Shield filter for GPS L2, GPS L5, GLONASS L2, GLONASS L3, and Galileo L5



\* All dimensions are in mm

Specifications are subject to change without notice



**JAVAD GNSS**  
[www.javad.com](http://www.javad.com)

Rev.2.6 October 8, 2014